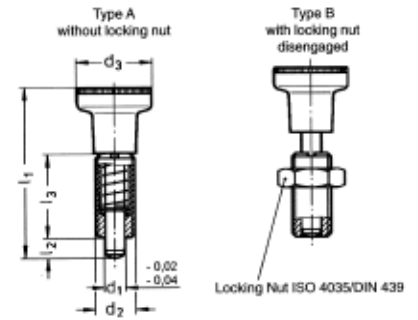


Indexing Plungers
metric without collar



- ▶ Black matte plastic knob
- ▶ Available in steel with black oxide finish and stainless steel
- ▶ Plunger is hardened and precision ground

- ▶ Type A: Without locking nut
- ▶ Type B: With locking nut



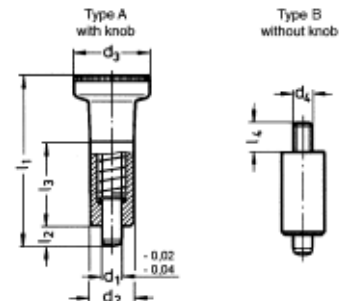
Type A Steel PART #	Type B Steel PART #	Type A Stainless Steel Part #	Type B Stainless Steel PART #	d ₁	d ₂	d ₃	l ₁	l ₂	l ₃
5905A	5905B	5905SS	5905BSS	5	M10 x 1	21	44	5	22
5906A	5906B	5906SS	5906BSS	6	M12 x 1.5	25	53	6	26
5908A	5908B	5908SS	5908BSS	8	M16 x 1.5	31	67	8	34
5910A	5910B	5910SS	5910BSS	10	M20 x 1.5	31	78	10	43

Indexing Plungers
metric without threads



- ▶ Black matte plastic knob
- ▶ Available with or without knob
- ▶ Steel parts, black oxide finish

- ▶ Type A: With knob
- ▶ Type B: Without knob



Type A PART #	Type B PART #	d ₁	d ₂	d ₄	l ₁	l ₂	l ₃	l ₄
5805A	5805G	5	12	M5	44	5	22	6
5806A	5806G	6	14	M6	53	6	26	10
5808A	5808G	8	18	M8	67	8	34	12